

Type RD 1000

- For use with high pressure spray guns SP 1000, SP 1000 E, SP 400, SP 400 E and high pressure lances.
- Dust tight, encapsulated eddy current brake
- Cooling sleeve
- Wear resistant rotary action with labyrinth seal
- Hollow shaft precisely supported by bearings
- Nozzle inserts recessed in nozzle head
- With protective cover (against blast back).



Typical applications

- Cleaning facades, removing old paint
- Cleaning concrete, floor tiles and paving
- Paint spray booth cleaning, (oil, paint overspray etc.) booth floor grids, conveyor chains
- Cleaning heat exchanger externals
- Removing old expansion joints

Technical data

Operating pressure:	max. 1000 bar
Flow rate:	max. 60 l/min.
• Pressure loss at 25 l/min.:	5 bar
Pump power:	Version 1 37 – 70 kW Version 2 22 – 55 kW
Speed of rotation:	1000 – 2000 r.p.m.
Weight:	approx. 1,2 kg
Length:	168 mm
Diameter:	60 mm
Connection A/F:	24 mm
Conn. thread:	3/8 inch BSP
No. of nozzles:	2
For nozzle inserts see reverse.	

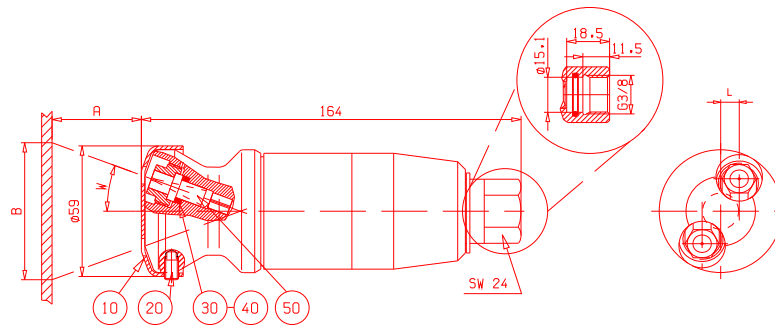
RD 1000	Code no.
Version 1*	09.00530.2532
Version 2*	.2542

- *To select see reverse



When working with hand held guns or lances the max. allowable reaction force is 250 N. If the reaction force is over 150 N then the jetting tool must be fitted with a support device such as a shoulder stock.

Rotorjet Accessory for Type RD 1000



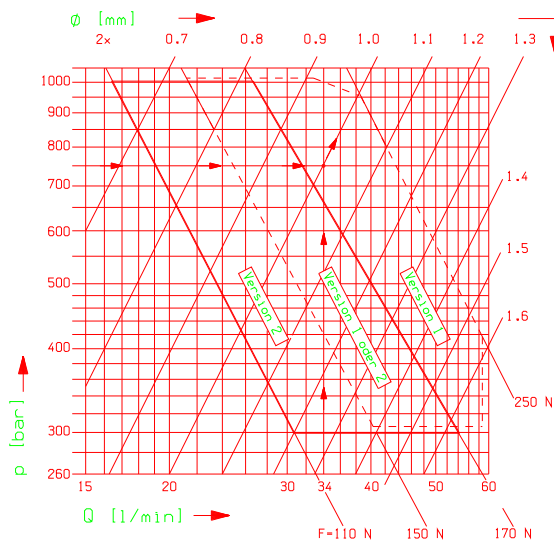
RD 1000	W Nozzle angle	L Nozzle offset (mm)	A Stand off distance (mm)	B Working width (mm)
Version 1	20°	8	15	55
			45	70
Version 2	27°	8	15	55
			45	85
			95	140

Item no.	Nozzle inserts: Design "A", Round jet efficiency factor 0,95					
	Code no. 04.05318.0xxx xxx = see table for last 3 digits of code no.					
50	Ø (mm)	xxx	Ø (mm)	xxx	Ø (mm)	xxx
	0,7	072	1,1	076	1,5	025
	0,8	073	1,2	077	1,6	080
	0,9	074	1,3	078		
	1,0	075	1,4	079		

Item no.	Qty.	Description	Code no. per single item
10	1	Protect. cover	01.01894.0021
20	3	Set screw	02.00894.0107
30	2	O-ring	04.00730.0033
40	2	Support ring	04.00738.0405

Example: Nozzle insert Design „A“
Ø 0,7 = Code no. 04.05318.0072

Nozzle insert selection and optimum performance range



Example

Parameters:

Operating pressure: 750 bar
Flow rate: 34 l/min
Select:
Correct nozzle Ø: 2 x 1,0 mm
Rotorjet with W = 20°

- Ø = Nozzle insert dia.
- p = Operating pressure
- Q = Flow rate (without leakage)
- F = Reaction force



Do not exceed right side limit of performance range:
Danger of overpowering!

For safety rules governing reaction force, see previous page!

+44 1905 751790
sales@calder.co.uk
www.calderltd.com