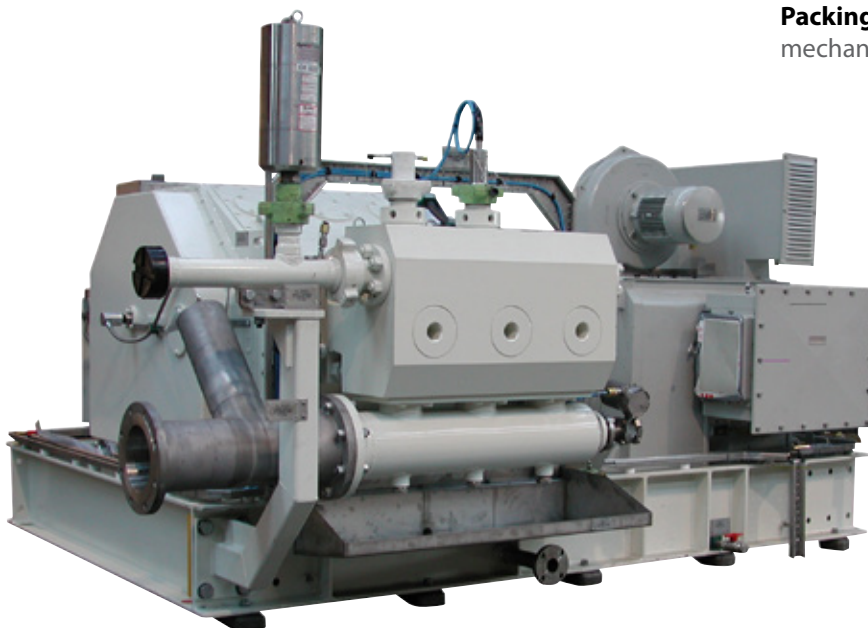
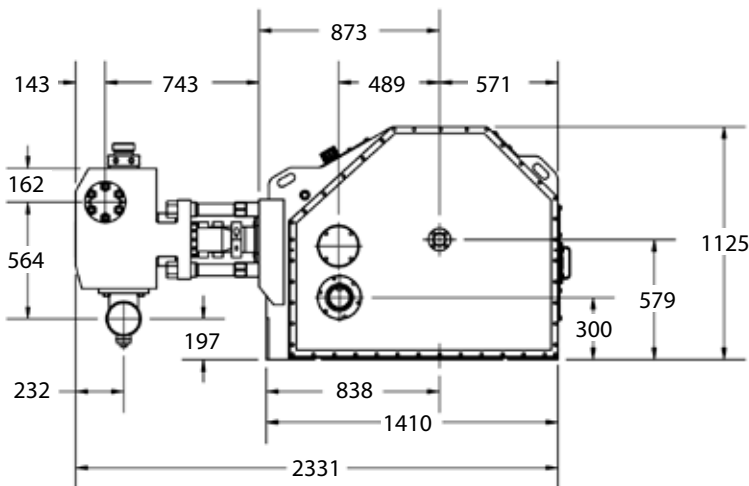
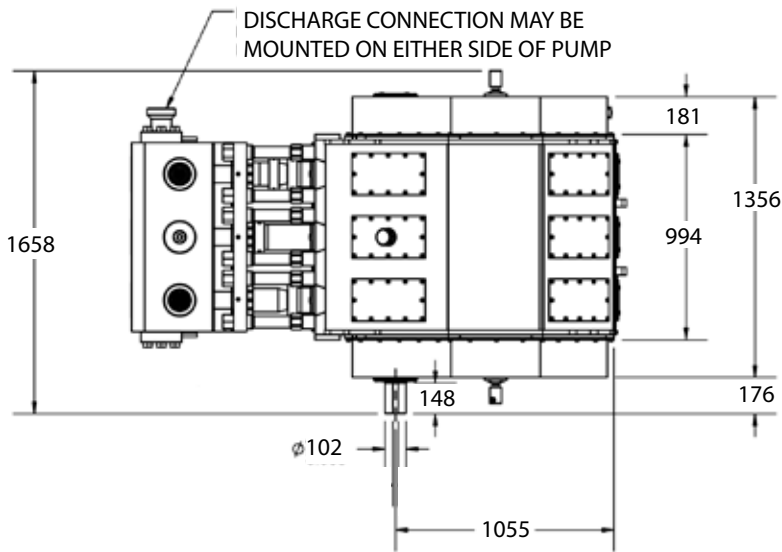


CRI 1800 Triplex Plunger Pump



Specifications

Pump Type: Triplex Reciprocating Plunger Pump

Maximum Input Horsepower: 1,800 kW (2,400 HP)
Intermittent

Stroke Length, in (mm): 203.2mm (8")

Maximum Rod Load: 113,398 kg (250,000 lbs)

Approximate Weight: 5,669 kg (12,500 lbs)

Pump Power End: Fabricated Alloy Steel

Gears: Helical

Gear Ratio: 6.35:1.0

Rod Bearings: Shell Type Replaceable

Main Bearings: Straight Roller

Pinion Bearings: Spherical Roller

Crankshaft: Alloy Steel

Connecting Rod: One Piece Forged Steel

Crosshead: Cast Ductile Iron

Crosshead Guide: Bronze Replaceable

Fluid End: Plunger Type Mono-Block Design

Plunger Diameter: 101.6 to 190.5mm (4" to 7.5")

Discharge Connection: 1502 Half Union Forged Steel
Connection – either side

Suction: 203.2mm (8")

Valves and Seats: Service Master II™

Power End Lubrication: External Lubrication System
Required

Packing Lubrication: Optional air driven, air/oil, or
mechanical oil drip system available

CRI 1800 Triplex Plunger Pump

INNOVATION THROUGH EXPERIENCE



Intermittent Duty Performance Chart

IMPERIAL UNITS

Plunger Diameter	Displacement Factors @ 100% Volumetric Efficiency	Pump Speed in Crankshaft Revolutions per Minute (RPM)									
		100		150		200		250		330	
		Capacity @ 100% VE**	Discharge Pressure	Capacity @ 100% VE**	Discharge Pressure	Capacity @ 100% VE**	Discharge Pressure	Capacity @ 100% VE**	Discharge Pressure	Capacity @ 100% VE**	Discharge Pressure
US Gallons/Rev	GPM	Max @ Capacity	GPM	Max @ Capacity	GPM	Max @ Capacity	GPM	Max @ Capacity	GPM	Max @ Capacity	
Inches	GPR	GPM	PSIG	GPM	PSIG	GPM	PSIG	GPM	PSIG	GPM	PSIG
7.5	4.59	459	5655	689	5072	918	3760	1148	3042	1515	2311
7	3.999	400	6500	600	5822	800	4366	1000	3493	1320	2654
6.75	3.718	372	6995	558	6270	744	4702	929	3762	1227	2850
6.50	3.448	345	7543	517	6761	690	5071	862	4057	1138	3073
6.0	2.938	294	8853	441	7935	588	5951	734	4761	969	3607
5.50	2.468	247	10535	370	9444	494	7083	617	5666	815	4293
5.00	2.040	204	12748	306	11427	408	8570	510	6856	673	5194
4.50	1.652	165	15738	248	14107	330	10580	413	8464	545	6412
4.00	1.306	131	19919	196	17854	261	13391	326	10713	431	8116
Input Power @ 90% ME***	BHP	1785		2400		2400		2400		2400	
Pinion RPM @ 6.35 : 1 Gear Ratio		635		953		1270		1588		2096	

METRIC UNITS

Plunger Diameter	Displacement Factors @ 100% Volumetric Efficiency	Pump Speed in Crankshaft Revolutions per Minute (RPM)									
		100		150		200		250		330	
		Capacity @ 100% VE**	Discharge Pressure	Capacity @ 100% VE**	Discharge Pressure	Capacity @ 100% VE**	Discharge Pressure	Capacity @ 100% VE**	Discharge Pressure	Capacity @ 100% VE**	Discharge Pressure
mm	litres/rev	LPM	Max @ Capacity	LPM	Max @ Capacity	LPM	Max @ Capacity	LPM	Max @ Capacity	LPM	Max @ Capacity
mm	LPR	LPM	BAR	LPM	BAR	LPM	BAR	LPM	BAR	LPM	BAR
190.5	17.37	1737	390	2608	350	3475	259	4345	210	5734	159.4
177.8	15.136	1514	448	2271	402	3028	301	3785	241	4996	183
171.5	14.08	1408	482	2112	432	2817	324	3521	259	4647	196
165.1	13.06	1306	520	1959	466	2612	349	3265	279	4309	211
152.4	11.13	1113	610	1669	547	2225	410	2782	328	3672	248
139.7	9.35	935	726	1402	651	1870	488	2337	390	3085	295
127.0	7.73	773	878	1159	787	1545	590	1932	472	2550	358
114.3	6.26	626	1085	939	972	1252	729	1565	583	2065	442
101.6	4.95	495	1373	742	1231	989	923	1236	738	1632	559
Input Power @ 90% ME***	kW	1331		1800		1800		1800		1800	
Pinion RPM @ 6.35 : 1 Gear Ratio		635		953		1270		1588		2096	

The information and data on this sheet is accurate to the best of our knowledge and belief, but is intended for general information only. Applications suggested for the materials are described only to help readers make their own evaluations and decisions, and are neither guarantees nor to be construed as express or implied warranties of suitability for these or other applications. Calder Ltd makes no warranty either express or implied beyond that stipulated in Calder Ltd Standard Terms and Conditions of Sale.



Calder Ltd
Prescott Drive
Warndon
Worcester
WR4 9NE
United Kingdom

web : www.calderltd.com
email : sales@calder.co.uk
tel : +44 (0) 1905 759090
fax : +44 (0) 1905 759091