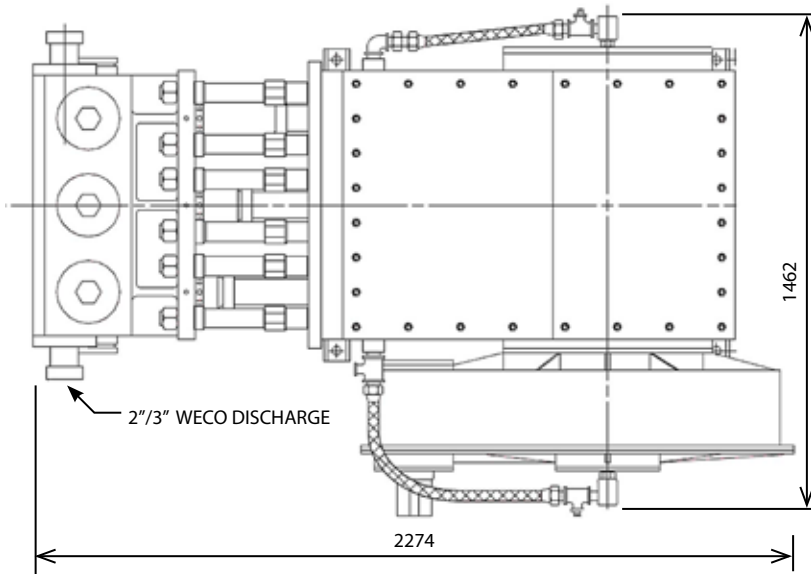
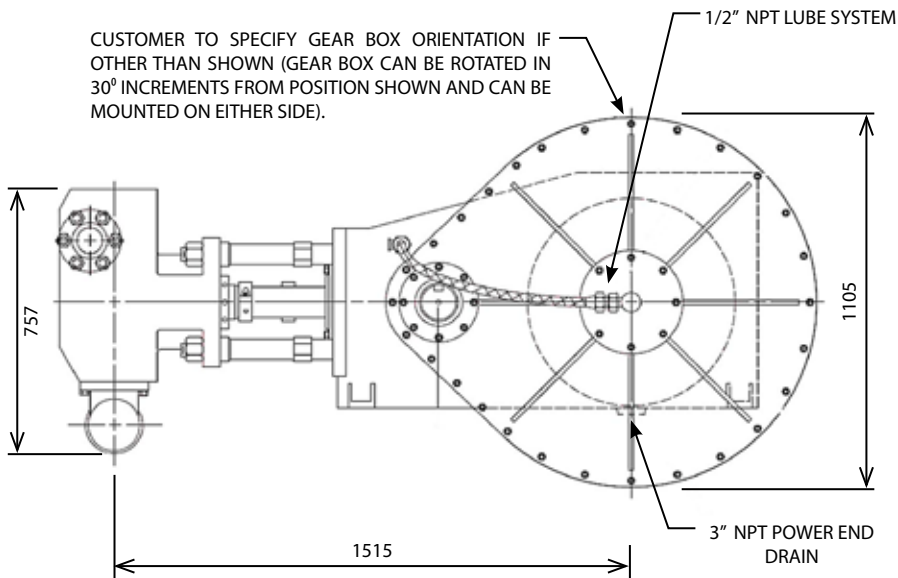


WS 750 Triplex Plunger Pump



CUSTOMER TO SPECIFY GEAR BOX ORIENTATION IF OTHER THAN SHOWN (GEAR BOX CAN BE ROTATED IN 30° INCREMENTS FROM POSITION SHOWN AND CAN BE MOUNTED ON EITHER SIDE).



Specifications

Pump Type:

Horizontal Reciprocating Plunger Pump

Maximum Input:

750 kW (1,000 HP) Intermittent,
450 kW (600 HP) Continuous

Stroke Length:

200 mm (8")

Maximum Rod Load:

712 kN (160,000 Lbs)

Approximate Weight:

3,800 Kgs (8,400 Lbs)

Pump Power End:

Fabricated from High Strength Steel

Gears:

Helical Pinion & Bull Gear

Gear Ratio:

6.353:1

Rod Bearings:

Shell Type Replaceable

Main Bearings:

Straight Roller

Pinion Bearings:

Roller

Crankshaft:

Alloy Steel

Connecting Rod:

One Piece

Crosshead Guide:

Bronze Replaceable

Fluid-End:

Plunger Type Mono-Block Design

Machined from High Strength Alloy Steel

Heat Treated and Ultrasonic Tested

Plunger Diameter:

89 mm to 150 mm (3 1/2" to 6")

Discharge Outlet:

2" or 3" 1502 Weco Union

Suction Inlet:

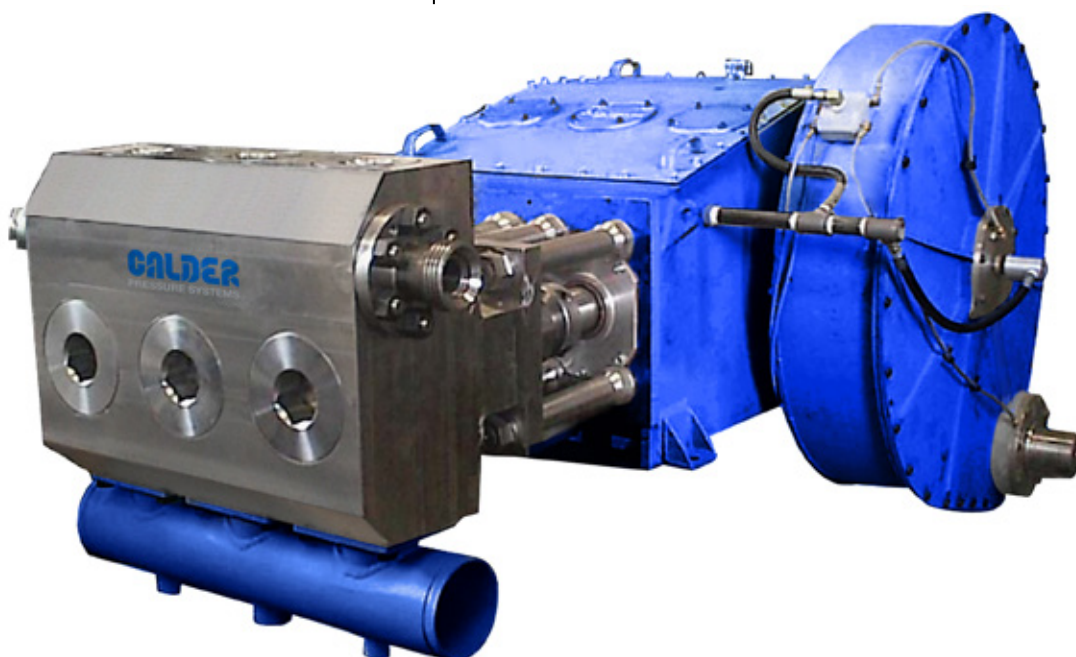
150 mm (6") Diameter

Valves and Seals:

Hardened Steel, Replaceable Insert

Power End Lubrication:

Pressure Lubricated 150 Lpm



WS 750 Triplex Plunger Pump

INNOVATION THROUGH EXPERIENCE

CALDER
A PG FLOW SOLUTIONS COMPANY

Intermittent Duty Performance Chart

3 1/2" to 6" Plunger x 8" Stroke, Single Acting Triplex Plunger Pump

IMPERIAL UNITS

Plunger Diameter	Displacement Factors @ 100% Volumetric Efficiency	Pump Speed in Crankshaft Revolutions per Minute (RPM)									
		50		100		200		300		330	
		Capacity @ 100% VE**	Discharge Pressure	Capacity @ 100% VE**	Discharge Pressure	Capacity @ 100% VE**	Discharge Pressure	Capacity @ 100% VE**	Discharge Pressure	Capacity @ 100% VE**	Discharge Pressure
US Gallons/Rev	GPM	Max @ Capacity	GPM	Max @ Capacity	GPM	Max @ Capacity	GPM	Max @ Capacity	GPM	Max @ Capacity	
Inches	GPR	PSIG		PSIG		PSIG		PSIG		PSIG	
6	2.940	147	5659	294	4465	588	2230	881	1490	969	1352
5-3/4	2.700	135	6162	270	4860	540	2430	809	1620	890	1475
5-1/2	2.470	123	6734	247	5315	494	2655	741	1770	815	1610
5	2.040	102	8149	204	6425	408	3215	612	2145	673	1947
4-1/2	1.650	83	10060	165	7935	330	3967	496	2645	545	2405
4	1.310	65	12732	131	10045	261	5020	392	3346	431	3045
3-3/4	1.150	57	14487	115	11425	229	5715	344	3810	379	3463
3-1/2	1.000	50	16630*	100	13115	200	6560	300	4375	330	3975
Input Power @ 90% ME***	BHP	570		900		900		900		900	
Pinion RPM @ 6.35 : 1 Gear Ratio		318		635		1271		1906		2097	

METRIC UNITS

Plunger Diameter	Displacement Factors @ 100% Volumetric Efficiency	Pump Speed in Crankshaft Revolutions per Minute (RPM)									
		50		100		200		300		330	
		Capacity @ 100% VE**	Discharge Pressure	Capacity @ 100% VE**	Discharge Pressure	Capacity @ 100% VE**	Discharge Pressure	Capacity @ 100% VE**	Discharge Pressure	Capacity @ 100% VE**	Discharge Pressure
mm	LPR	LPM	Max @ Capacity	LPM	Max @ Capacity	LPM	Max @ Capacity	LPM	Max @ Capacity	LPM	Max @ Capacity
mm	LPR	BAR		BAR		BAR		BAR		BAR	
152.4	11.129	556	390	1113	308	2226	154	3335	103	3668	93
146.05	10.221	511	425	1022	335	2044	168	3062	112	3369	102
139.7	9.350	466	464	935	366	1870	183	2805	122	3085	111
127	7.722	386	562	772	443	1544	222	2317	148	2548	134
114.3	6.246	314	694	625	547	1249	274	1878	182	2063	166
101.6	4.959	246	878	496	693	988	346	1484	231	1632	210
95.25	4.353	216	999	435	788	867	394	1302	263	1435	239
88.9	3.785	189	1147*	379	904	757	452	1136	302	1249	274
Input Power @ 90% ME***	kW	426		671		671		671		671	
Pinion RPM @ 6.35 : 1 Gear Ratio		318		635		1271		1906		2097	

* Application to be approved by Calder Limited

** Based on 85% ME and 100% VE - Intermittent service only.



Calder Ltd
Prescott Drive
Warndon
Worcester
WR4 9NE
United Kingdom

web : www.calderltd.com
email : sales@calder.co.uk
tel : +44 (0) 1905 759090
fax : +44 (0) 1905 759091